

# **HAND PALLET TRUCK SCALE**

**The best buy in the business !!!**

**2000 kg** in

**1 kg** steps

## **Functions**

**Automatic and manual  
zero correction**

**Gross/nett weighing**

**Automatic and manual  
tare**

**Totalling with sequence  
number**

**Error messages in display**



**Timotex Ltd  
Timotex House  
Lodge Road  
Stourport on Severn  
Worcestershire  
DY13 9HE**

**Tel : 01299 823850  
Fax: 01299 825110**

**WEIGH & GO**

## PRODUCT SPECIFICATION SHEET



### Specifications

**Capacity: 2000 kg**

**Graduation: 1 kg**

**Maximum inaccuracy:  
0,1% of full scale**

**Protection class:  
Loadcells and cabling IP 67  
Indicator IP 65**

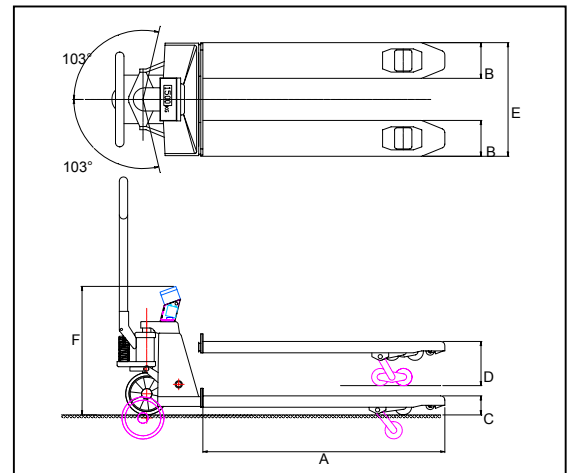
**Power: 4 x AA Batteries**

### DIMENSIONS in mm

<b>A Fork length</b>	:	<b>1150</b>
<b>B Fork width</b>	:	<b>180</b>
<b>C Minimum fork height</b>	:	<b>85</b>
<b>D Maximum fork height</b>	:	<b>200</b>
<b>Lifting height</b>	:	<b>200</b>
<b>E Width over forks</b>	:	<b>555</b>
<b>F Height to top of indicator</b>	:	<b>700</b>

### FEATURES

<b>Colour</b>	:	<b>blue, epoxy painted</b>
<b>Steering wheels</b>	:	<b>polyurethane</b>
<b>Loading wheels</b>	:	<b>tandem polyurethane</b>



**Timotex Ltd  
Timotex House  
Lodge Road  
Stourport on Severn  
Worcestershire  
DY13 9HE**

**Tel : 01299 823850  
Fax: 01299 825110**

**WEIGH & GO**